

FAUCET DESCRIPTION

- Chrome plated metal construction
- Shower arm has 1/2" IPS male threads
- Diverter spout is 1/2" CC slip-fit design
- Supplied with vandal resistant screws

OPERATION

- Lever style handle with temperature indicators on the escutcheon
- Handle operates counterclockwise through a 270° arc with off at 6 o'clock, and maximum hot at the 9 o'clock position. Shut off in clockwise direction
- Adjustable temperature limit stop to restrict the handle travel in the HOT direction
- Pressure balancing mechanism maintains selected discharge temperature to ± 2°

FLOW

- Vandal resistant shower head 2.5 gpm (9.6 L/min) maximum
- Vandal resistant EP model shower head is limited to 1.5 gpm (5.7 L/min) at 80psi

CARTRIDGE

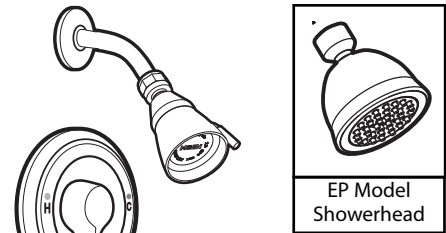
- 1222 cartridge design
- Nonmetallic/nonferrous and stainless steel materials
- Accommodates back-to-back installations

STANDARDS

- Third party certified to: ASME A112.18.1/CSA B-125.1 and all applicable requirements referenced therein including NSF61/9
- EP suffix models are third party certified to WaterSense®
- **ADA** for lever handle

WARRANTY

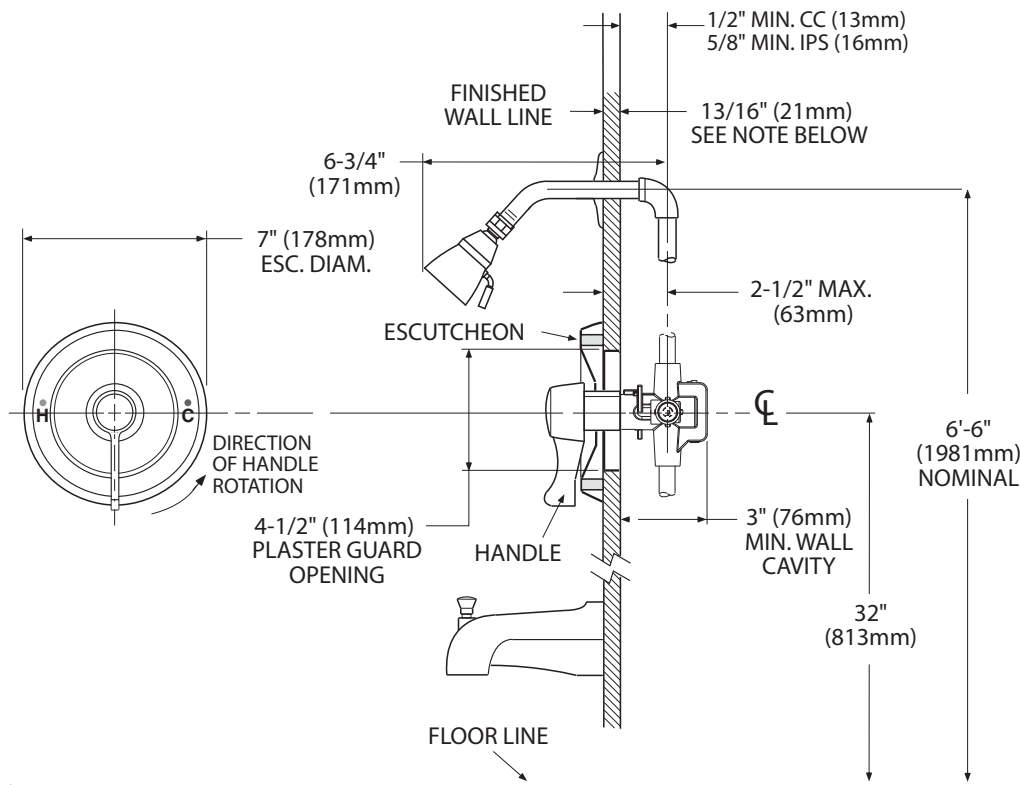
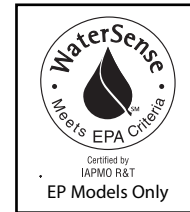
- Warranted for 5 years against material or manufacturing defects



Single Handle Posi-Temp® Pressure Balancing Tub/Shower Trim Only

Model: T8389

T8389EP15



CRITICAL DIMENSIONS

(DO NOT SCALE)