

DESCRIPTION

- Brass construction with chrome plated finish
- 3/8" compression connections
- Supplied with gooseneck spout (8137)

OPERATION

- Lever style handle
- Temperature controlled through 110° arc of handle
- Operates with less than 5 pounds of force


FLOW

- Aerator is limited to 2.2GPM max (8.34 min.)

CARTRIDGE

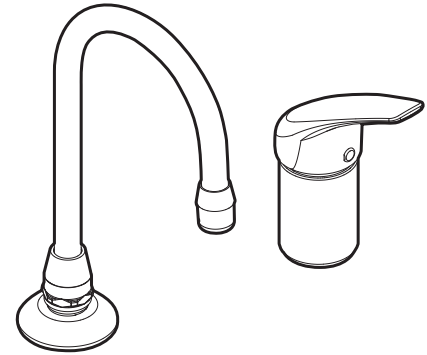
- Ceramic disc cartridge (with temperature limit stop)
- Nonmetallic/nonferrous and ceramic material

STANDARDS

- Third party certified to meet ASME A112.18.1/CSA B125.1, NSF 61/9 and all applicable requirements referenced therein
- Contains no more than 0.25% weighted average lead content
- Complies with California Proposition 65 and with the Federal Safe Drinking Water Act
- **ADA**  for lever handles

WARRANTY

- Warranted for 5 years against material or manufacturing defects

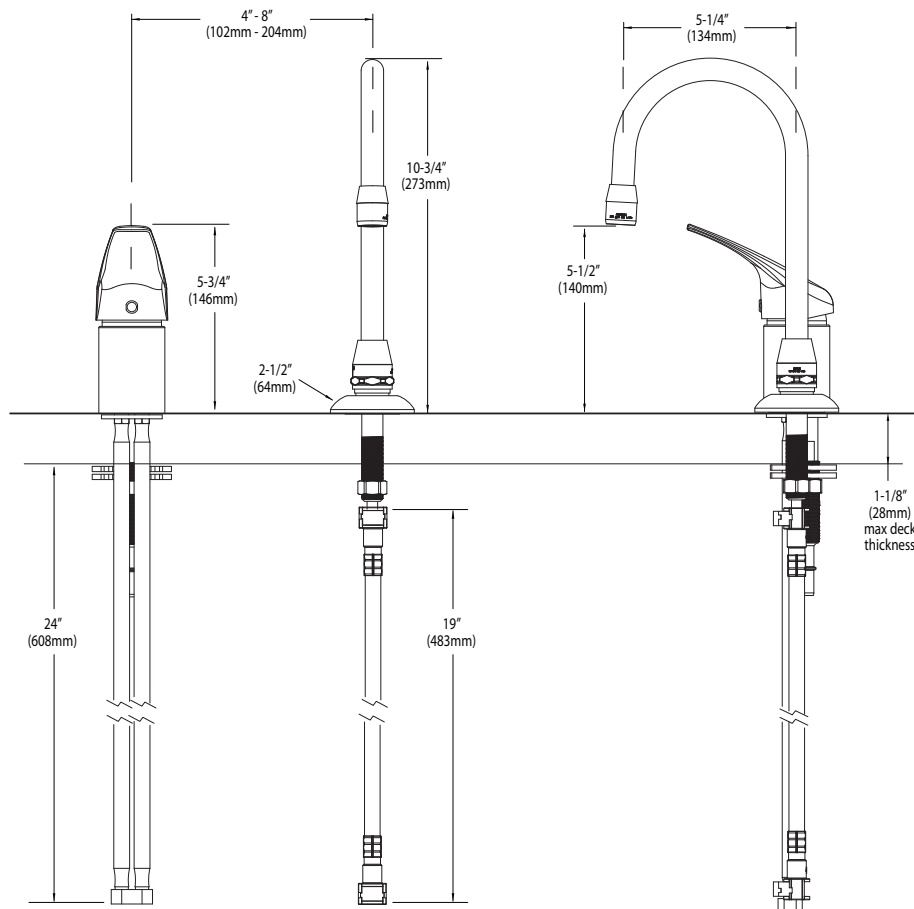


Single Handle Multi-Purpose Faucet

Models: 8137
8125 (less spout)



NOTE: Designed to be installed through 2 holes - 1-1/2" min. dia.



CRITICAL DIMENSIONS

(DO NOT SCALE)