

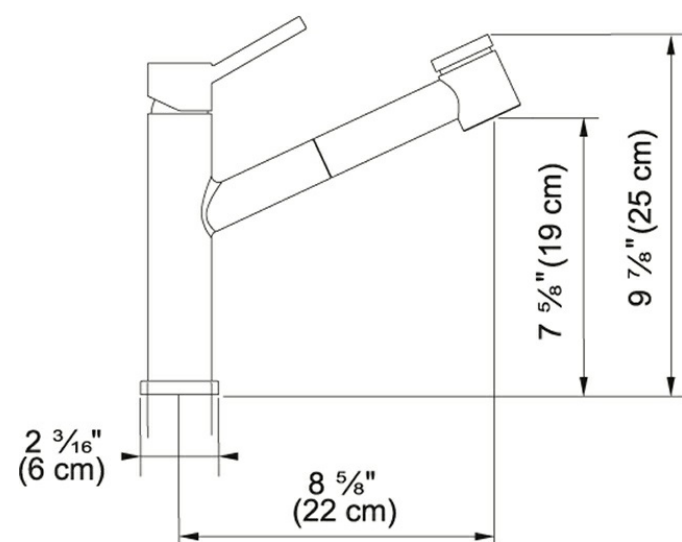
## Steel FFPS3450 Stainless Steel

The effortless modern design of Franke's Steel faucets are constructed of solid stainless steel for superior corrosion resistance, inside and out, making these faucets a culinary necessity.

Product Picture



Technical Drawing



Product Information

Version	Pull-Out Spray
Spray Type	Full and Needle Spray
Faucet Operation	Top Lever
Flow Rate	1.75 gpm
Cartridge	Ceramic Cartridge
Where to buy	Showroom
Countertop hole diameter	1 3/8"

Article Numbers

FUN#	115.0361.293
US Part Number	FFPS3450

