



FEATURES

Solid brass construction
 Crystal clear water flow
 Handshower with 5' reinforced PVC hose
 Pull-button diverter in front of the spout
 1/2" connection

FINISHES

Standard
 Polished chrome (pc)
 Electro black (ebk)

WARRANTY

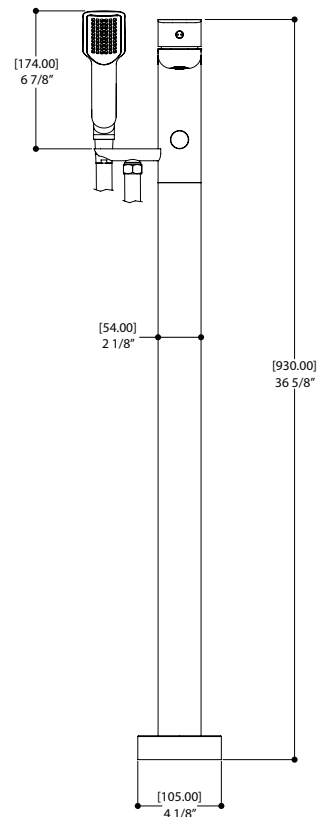
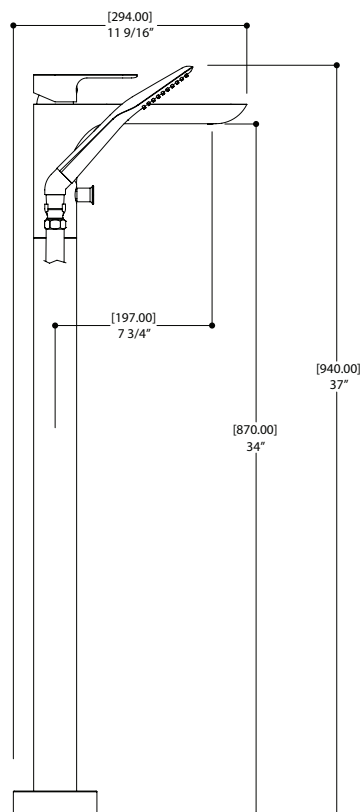
Residential: Limited lifetime warranty to original purchaser
 Commercial: Two years warranty
 (Complete warranty available at www.aquabrace.com/warranty)

CODE & COMPLIANCE



SPECS AT LARGE

Overall spout projection: 11 9/16" Flow rate: (tub filler) 5 gpm
 CC spout projection: 7 3/4" Flow rate: (handshower) 2 gpm
 Total faucet height: 37"

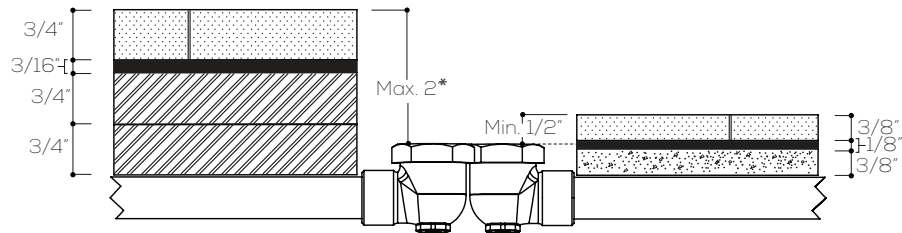


Aquabrace cannot be held responsible for any technical or typographical errors or omissions contained within this document and reserves the right to make changes without prior notice.

AQUABRASS

"EASY FIT"

a job-site friendly installation system

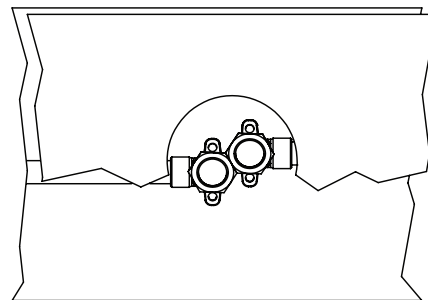
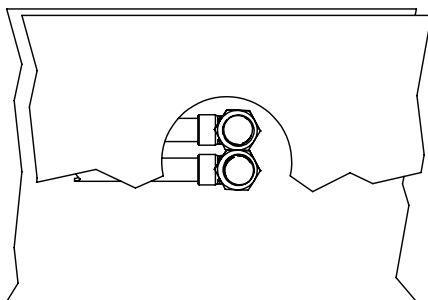
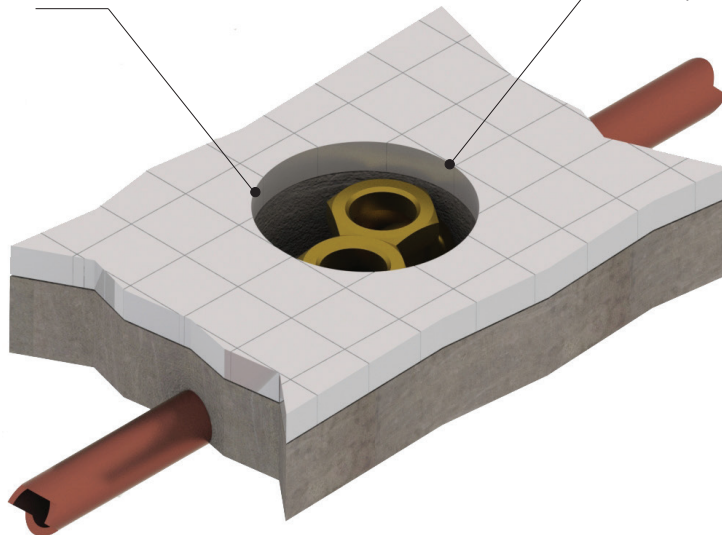


* If set deeper, use commercially available standard male-female extension.

* Si installé plus profondément, utiliser une extension mâle-femelle standard.

Ouverture recommandée:
ø 2 1/2" ou moins

Recommended opening:
ø 2 1/2" or less



Optimize your rough configuration for a minimum C-C between hot & cold inlets (see examples). The orientation of the pair of supply connections is independent from the final spout position.

Optimiser la configuration du brut pour minimiser le C-C entre l'entrée de l'eau chaude et froide. L'orientation des alimentations n'a aucun impact sur la direction finale du bec.